

FLV5

Automotive Relay

28.0×25.0×49.4

28.0×23.0×29.4



- Open or sealed cover available
- 40A continuous rating 80°C
- Conform to RoHS,ELV directive

COIL DATA

at 20°C

Coil Power 1.44W

Nominal Voltage (VDC)	Rated Current (mA)	Max Operate Voltage (VDC)	Min Release Voltage (VDC)	Coil Resistance ($\Omega \pm 10\%$)
6	240	3.9	0.3	25
12	120	7.8	0.6	100
24	60	15.6	1.2	400

CONTACT DATA

Contact Form	1H
Contact Material	Silver Alloy
Load	Resistive load(COS $\Phi=1$)
Contact Ratings	30A 14VDC 15A 28VDC
Max Switching Voltage	28VDC
Max Switching Current	30A
Max Switching Power	420W
Contact Resistance	100m Ω Max at 6VDC 1A
Electrical	100,000 Operations(at30Operations/minute)
Mechanical	10,000,000 Operations(at300Operations/minute)

ORDERING CODE

FLV5 L — H — F / 12VDC
 1 2 3 4 5

1. Relay Model
2. Coil Power
3. Contact Form

H: Form 1A

4. F: WITH BRACKET

Nil: WITHOUT BRACKET

5. Coil Nominal Voltage
6,12,24VDC

CHARACTERISTICS DATA

Insulation Resistance	100M Ω Min at 500VDC
Between Open Contacts	500VAC(for one minute)
Between Contacts and Coil	500VAC(for one minute)
Operate Time	15ms
Release Time	8ms
Temperature Range	-40°C to +85°C
Shock Resistance	Operating Extremes: 10G
	Damage Limits: 100G
Vibration Resistance	10-55Hz, 1.5mm
Max. switching frequency	Mechanical: 18,000operations/hr
	Electrical: 1,800operations/hr
Humidity	45-85%
Weight	Approx 28g

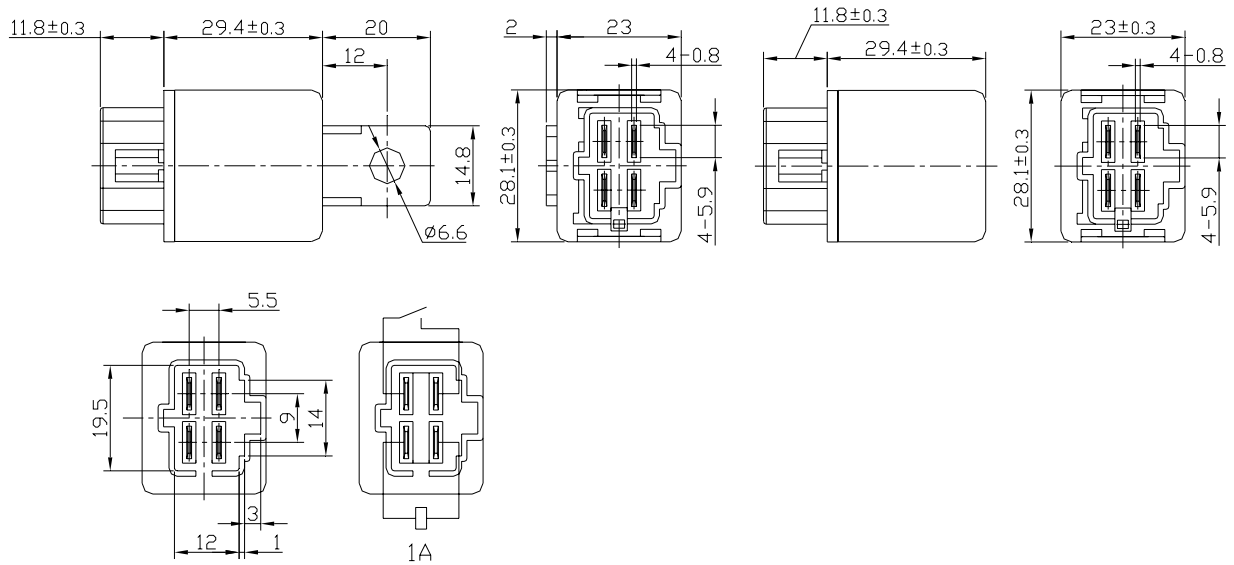


FLOURISHING RELAY

NINGBO FLOURISHING PRECISION ELECTRON CO.,LTD

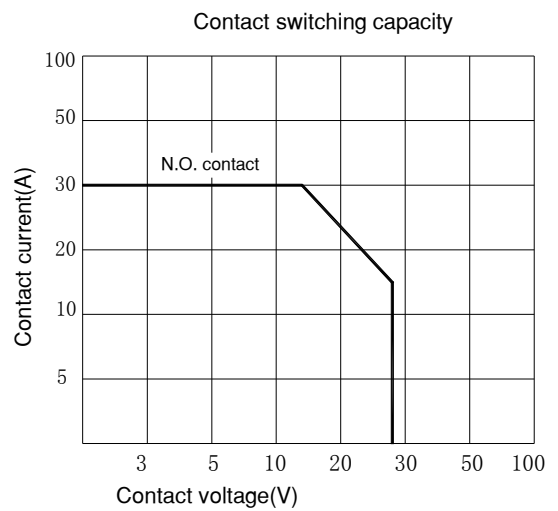
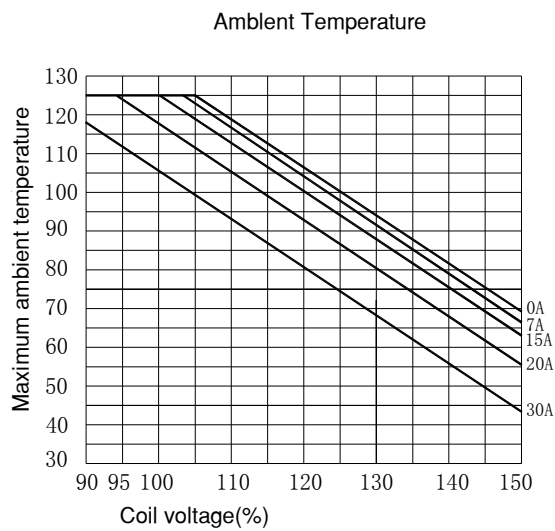
2008.12 B

OUTLINE DIMENSIONS, WIRING DIAGRAM AND LAYOUT



Layout (Bottom View)

特性曲线



FLOURISHING RELAY

The specifications are for the customer's reference and are subject to change without notice.