

FLV4-1U

Automotive Relay

28×28×25
28×31.8×41

- 40A continuous rating 85°C
- 1A&1C arrangements
- Plug-in or PC board terminals
- Optional mounting bracket
- Conform to RoHS,ELV directive

CONTACT DATA

Contact Form	1U
Contact Material	Silver Alloy
Load	Resistive load(COS Φ 1)
Contact Ratings	2*20A 14VDC
Max Switching Voltage	30VDC
Max Switching Current	40A
Max Switching Power	560W
Contact Resistance	100mΩ Max at 6VDC 1A
Electrical	100,000 Operations(at30Operations/minute)
Mechanical	10,000,000 Operations(at300Operations/minute)

CHARACTERISTICS DATA

Insulation Resistance	100MΩ Min at 500VDC
Between Open Contacts	500VAC(for one minute)
Between Contacts and Coil	750VAC(for one minute)
Operate Time	10ms
Release Time	10ms
Temperature Range	-40°C to +85°C
Shock Resistance	Operating Extremes: 10G
	Damage Limits: 20G
Vibration Resistance	10-40Hz, 1.5mm
Max. switching frequency	Mechanical: 18,000operations/hr
	Electrical: 1,800operations/hr
Humidity	40-85%
Weight	Approx 40g

COIL DATA

at 20°C

Coil Power 1.6W

Nominal Voltage (VDC)	Rated Current (mA)	Max Operate Voltage (VDC)	Min Release Voltage (VDC)	Coil Resistance (Ω ±10%)
6	267	3.9	0.6	23
12	133	7.8	1.2	90
24	67	15.6	2.4	360

Coil Power 1.9W

Nominal Voltage (VDC)	Rated Current (mA)	Max Operate Voltage (VDC)	Min Release Voltage (VDC)	Coil Resistance (Ω ±10%)
6	317	3.9	0.6	19
12	158	7.8	1.2	76
24	79	15.6	2.4	300

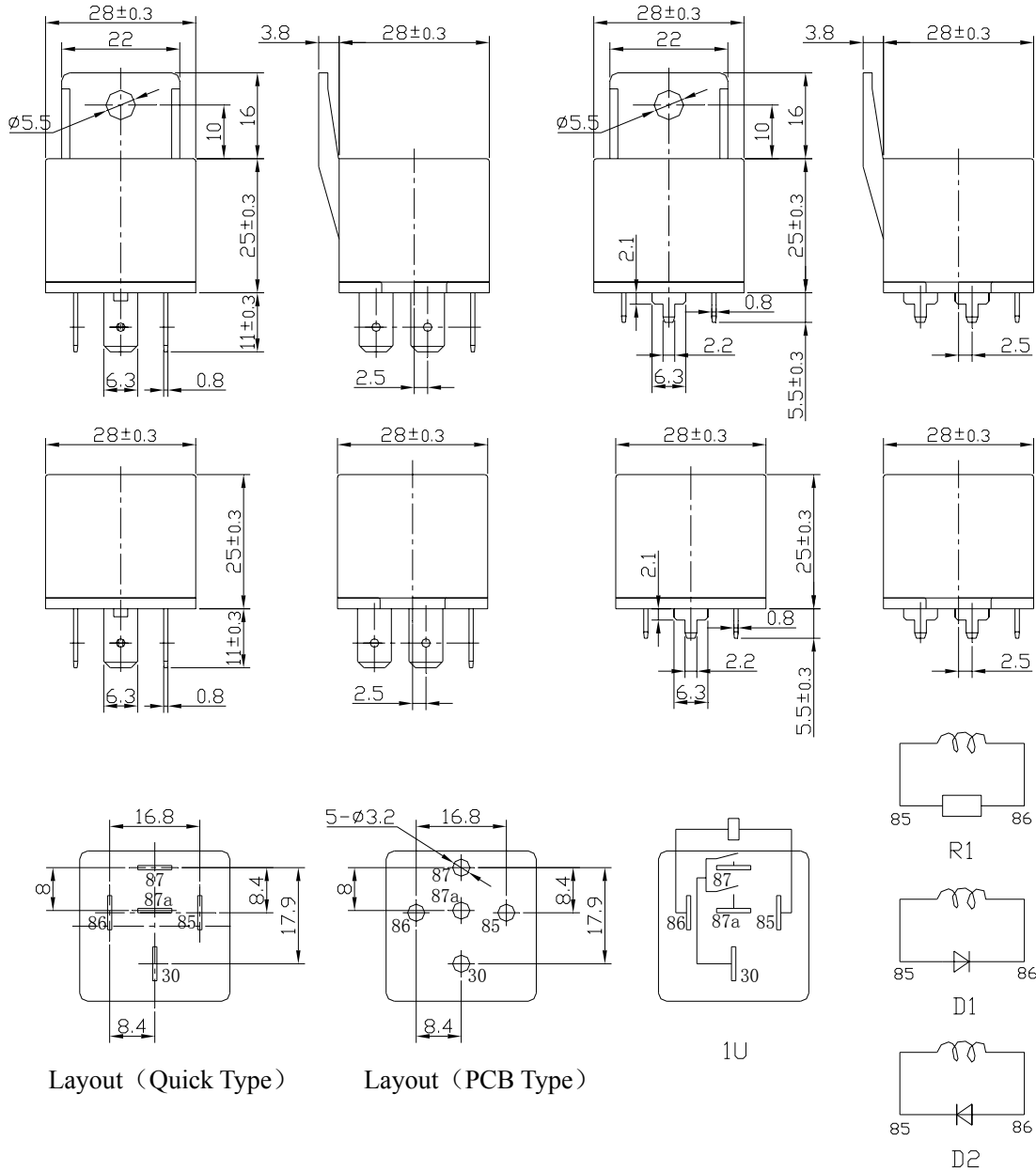
OPERING CODE

<u>FLV4</u>	<u>L</u>	<u>—12V (D1)</u>	<u>—</u>	<u>1U</u>	<u>—</u>	<u>F</u>	<u>—</u>	<u>P</u>
1	2	3	4	5	6	7		

- Relay Model
- Coil Power
D=1.9W; L=1.6W
- Coil Nominal Voltage
6,12,24VDC
- Nil: Standard
R1: Coil parallel with 1/2W resistor 680Ω for Coil voltage 12VDC; 2700Ω for coil voltage 24VDC
D1/D2: With diode(See Outline Dimensions)
- Contact Form
1U: Form 2A
- F: WITH BRACKET
Nil: WITHOUT BRACKET
- P: PCB Type
Nil: B Type



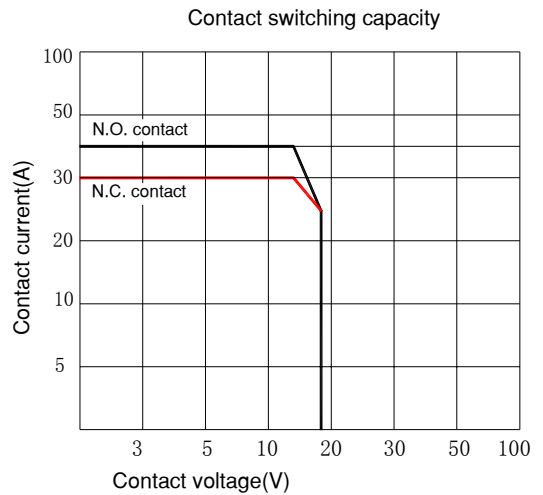
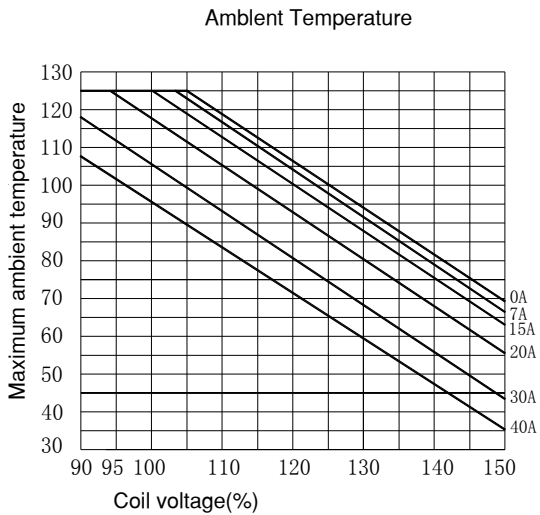
OUTLINE DIMENSIONS, WIRING DIAGRAM AND LAYOUT



Layout (Quick Type)

Layout (PCB Type)

ENGINEERING DATA



FLOURISHING RELAY

The specifications are for the customer's reference and are subject to change without notice.