

- 10A switching capability
- SPST-NO configuration
- Standard PC layout
- Sealed type available
- Surge resistance of 5000V
- Conform to RoHS,ELV directive

## CONTACT DATA

Contact Form	1H
Contact Material	Silver Alloy
Load	Resistive load(COS Φ 1)
Contact Ratings	10A 250VAC
Minimum load	100mA 5VDC
Max Switching Voltage	277VAC/30VDC
Max Switching Current	10A
Max Switching Power	2500VA/300W
Contact Resistance	100m Ω Max at 6VDC 1A
Electrical	100, 000 Operations(at300Operations/minute)
Mechanical	10, 000, 000 Operations(at300Operations/minute)

## CHARACTERISTICS DATA

Insulation Resistance	100M Ω Min at 500VDC
Between Open Contacts	1000VAC(for one minute)
Between Contacts and Coil	4000VAC(for one minute)
Operate Time	10ms
Release Time	4ms
Temperature Range	-40℃ to +85℃
Shock Resistance	Operating Extremes: 10G
	Damage Limits: 100G
Vibration Resistance	10-55Hz, 1.5mm
Max. switching frequency	Mechanical: 18,000operations/hr
	Electrical: 1,800operations/hr
Humidity	40-85%
Weight	Approx 6g

## COIL DATA

at 20℃

Coil Power 0.45W

Nominal Voltage (VDC)	Rated Current (mA)	Max Operate Voltage (VDC)	Min Release Voltage (VDC)	Coil Resistance (Ω ±10%)
3	150	2.25	0.15	20
5	89.28	3.75	0.25	56
6	75	4.5	0.3	80
9	50	6.75	0.45	180
12	37.5	9	0.6	320
18	25	13.5	0.9	720
24	18.75	18	1.2	1280

## APPROVED STANDARDS

UL & cUL	8A 240VAC
----------	-----------



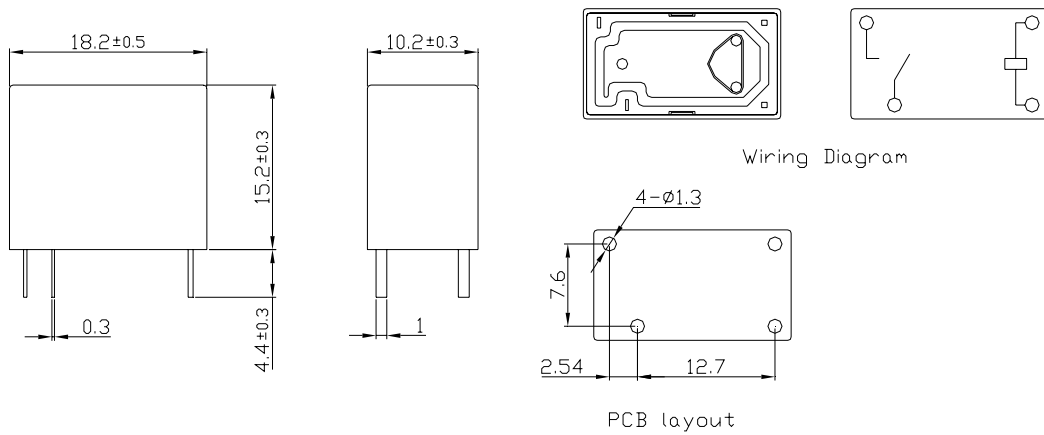
## ORDERING CODE

<u>FLG1H</u>	<u>D</u>	<u>12VDC</u>	<u>S</u>	<u>H</u>
1	2	3	4	5

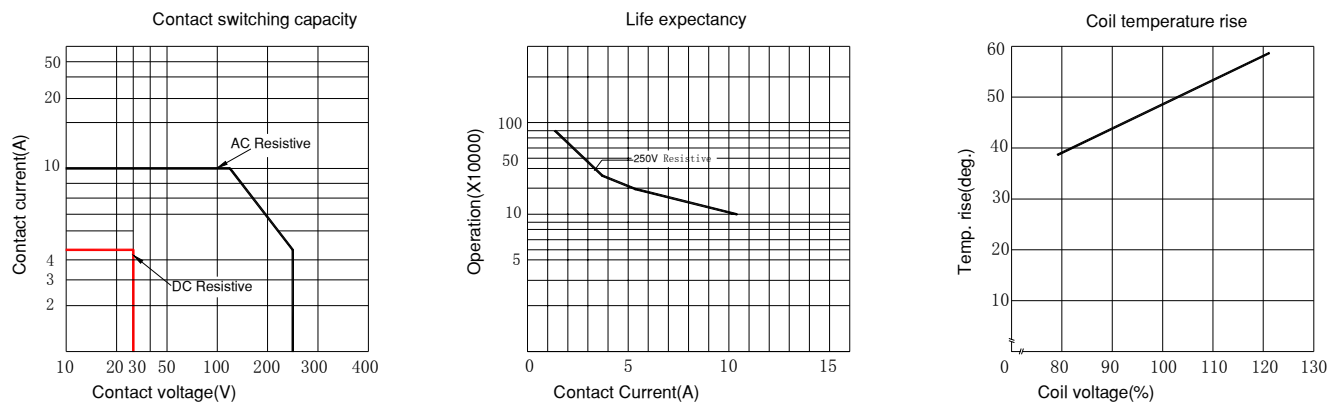
  

1. Relay Model	4. S: Sealed
2. Coil Power D=0.45W,	5. Contact Form H: Form A
3. Coil Nominal Voltage 3,5,6,9,12,18,24VDC	

## OUTLINE DIMENSIONS, WIRING DIAGRAM AND LAYOUT



## ENGINEERING DATA



FLOURISHING RELAY

The specifications are for the customer's reference and are subject to change without notice.