

23×15.5×26



- Max.switching current 25A
- Different terminals available
- Conform to RoHS,ELV directive

### CONTACT DATA

Contact Form	1H/1Z
Contact Material	Silver Alloy
Load	Resistive load(COS Φ=1)
Contact Ratings	1H: 25A 14VDC 1Z: 20A 14VDC
Max Switching Voltage	24VDC
Max Switching Current	25A
Max Switching Power	350W
Contact Resistance	50m Ω Max at 6VDC 1A
Electrical	100,000 Operations(at30Operations/minute)
Mechanical	10,000,000 Operations(at300Operations/minute)

### CHARACTERISTICS DATA

Insulation Resistance	100M Ω Min at 500VDC
Between Open Contacts	500VAC(for one minute)
Between Contacts and Coil	1000VAC(for one minute)
Operate Time	10ms
Release Time	10ms
Temperature Range	-40℃to+85℃
Shock Resistance	Operating Extremes: 10G
	Damage Limits: 100G
Vibration Resistance	10-55Hz, 1.5mm
Max. switching frequency	Mechanical: 18,000operations/hr
	Electrical: 1,800operations/hr
Humidity	40-85%
Weight	Approx 18g

### COIL DATA

at 20℃

#### Coil Power 1.2W

Nominal Voltage (VDC)	Rated Current (mA)	Max Operate Voltage (VDC)	Min Release Voltage (VDC)	Coil Resistance (Ω ±10%)
6	200	3.9	0.3	30
12	100	7.8	0.6	120
24	50	15.6	1.2	480

#### Coil Power 1.6W

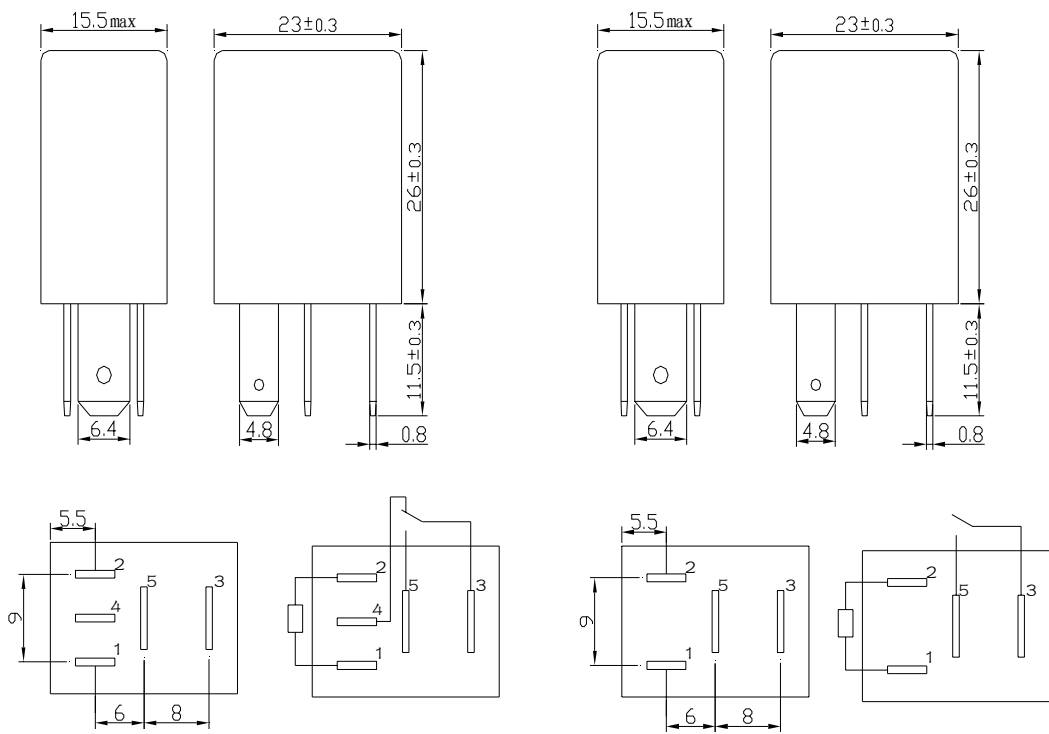
Nominal Voltage (VDC)	Rated Current (mA)	Max Operate Voltage (VDC)	Min Release Voltage (VDC)	Coil Resistance (Ω ±10%)
6	261	3.9	0.3	23
12	133	7.8	0.6	90
24	67	15.6	1.2	360

### OPDERING CODE

<u>FLFM</u> <u>D</u> — <u>S</u> — <u>H</u> / <u>12VDC</u> 1 2 3 4 5				
1. Relay Model				
2. Coil Power D=1.6W, L=1.2W				
3. S:Sealed Nil: Standard				
4. Contact Form H: Form 1A Z: Form 1C				
5. Coil Nominal Voltage 6,12,24VDC				

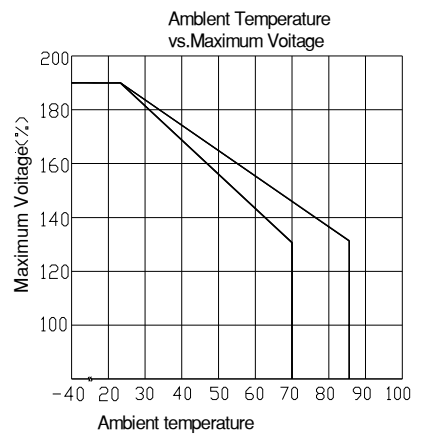
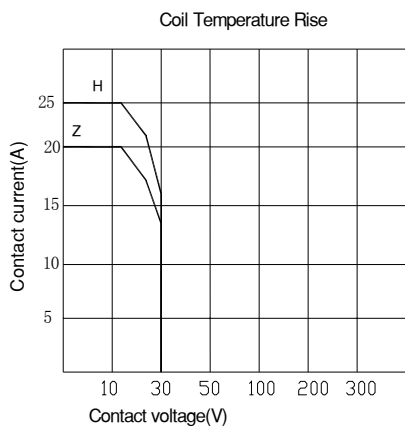
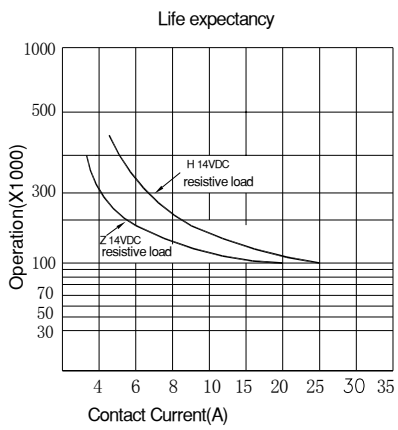


## OUTLINE DIMENSIONS, WIRING DIAGRAM AND LAYOUT



Layout (Bottom View)

## ENGINEERING DATA



**FLOURISHING RELAY**

The specifications are for the customer's reference and are subject to change without notice.