

# FL5V

# Telecom Relay

 E173485

12.4×7.4×9.9



- Designed for thermostat modem, computer peripherals, video recording and security applications
- Surge Strength 1500V FCC68
- Low coil power requirement for IC compatibility
- Terminals arranged on grid pattern
- Designed for compact, high density mounting
- Conform to RoHS, ELV directive

## CONTACT DATA

Contact Form	1Z	
Contact Material	Silver Alloy	
Load	Resistive load(COS Φ=1)	
Contact Ratings	1A 120VAC 1A 24VDC	2A 120VAC 2A 24VDC
Minimum load	1mA 5VDC	
Max Switching Voltage	120VAC/60VDC	
Max Switching Current	1A	2A
Max Switching Power	120VA/30W	240VA/48W
Contact Resistance	100mΩ Max at 6VDC 1A	
Electrical	100,000 Operations(at 30 Operations/minute)	
Mechanical	10,000,000 Operations(at 300 Operations/minute)	

## CHARACTERISTICS DATA

Insulation Resistance	1000MΩ Min at 500VDC
Between Open Contacts	400VAC( for one minute)
Between Contacts and Coil	1000VAC( for one minute)
Operate Time	4ms
Release Time	3ms
Temperature Range	-30℃to+70℃
Shock Resistance	Operating Extremes: 10G Damage Limits: 100G
Vibration Resistance	10-55Hz, 1.5mm
Max. switching frequency	Mechanical: 18,000operations/hr Electrical: 1,800operations/hr
Humidity	35-85%
Weight	Approx 2.2g

## APPROVED STANDARDS

UL & cUL	2A 120VAC 2A 24VDC
----------	-----------------------

## COIL DATA

at 20℃

### Coil Power 0.15W

Nominal Voltage (VDC)	Rated Current (mA)	Max Operate Voltage (VDC)	Min Release Voltage (VDC)	Coil Resistance (Ω ±10%)
3	50	2.4	0.3	60
5	29.9	4	0.5	167
6	25	4.8	0.6	240
9	16.7	7.2	0.9	540
12	12.5	9.6	1.2	960
24	6.3	19.2	2.4	3840

### Coil Power 0.2W

Nominal Voltage (VDC)	Rated Current (mA)	Max Operate Voltage (VDC)	Min Release Voltage (VDC)	Coil Resistance (Ω ±10%)
3	66.7	2.25	0.3	45
5	40	3.75	0.5	125
6	33.3	4.5	0.6	180
9	22.2	6.75	0.9	405
12	16.7	9	1.2	720
24	8.3	18	2.4	2880

### Coil Power 0.36W

Nominal Voltage (VDC)	Rated Current (mA)	Max Operate Voltage (VDC)	Min Release Voltage (VDC)	Coil Resistance (Ω ±10%)
3	120	2.25	0.3	25
5	72	3.75	0.5	70
6	60	4.5	0.6	100
9	40	6.75	0.9	220
12	30	9	1.2	400
24	15	18	2.4	1600

### Coil Power 0.45W

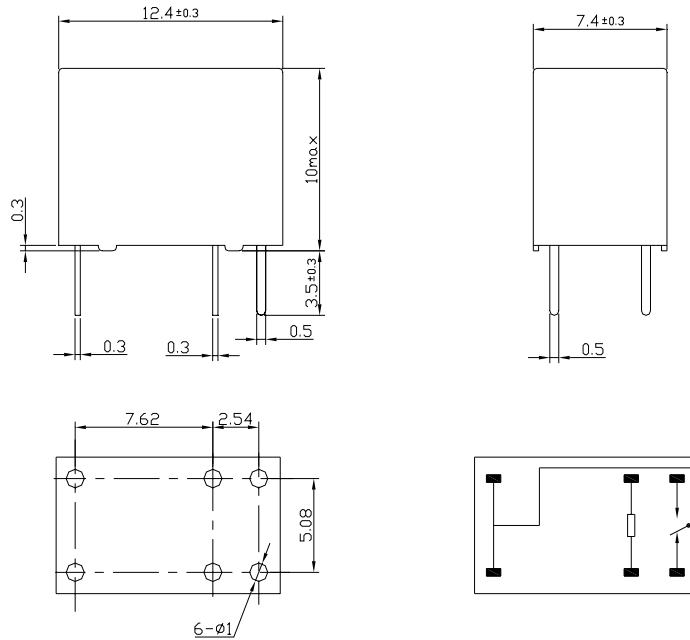
Nominal Voltage (VDC)	Rated Current (mA)	Max Operate Voltage (VDC)	Min Release Voltage (VDC)	Coil Resistance (Ω ±10%)
3	150	2.25	0.3	20
5	89.2	3.75	0.5	56
6	75	4.5	0.6	80
9	50	6.75	0.9	180
12	37.5	9	1.2	320
24	18.8	18	2.4	1280



**OPDERING CODE**

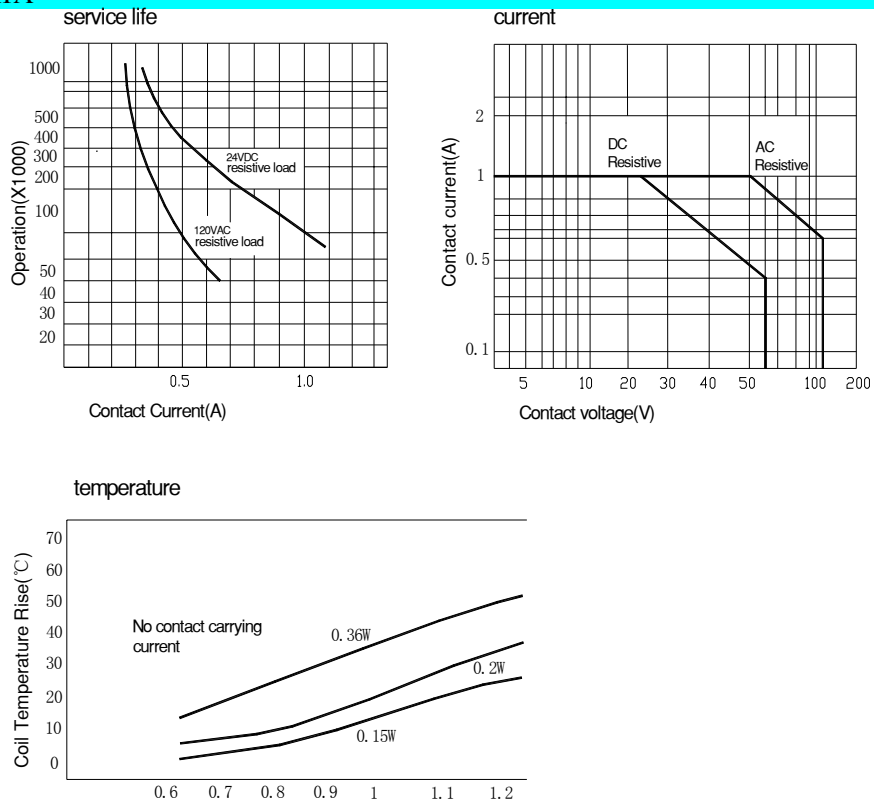
<u>FL5V</u> <u>D</u> — <u>S</u> — <u>Z</u> / 12VDC				
1	2	3	4	5
1. Relay Model	2. Coil Power D=0.36W, L=0.2W, M=0.15W, N=0.45W		4. Contact Form Z Form C	5. Coil Nominal Voltage 3,5,6,9,12,24VDC
3. S: Sealed				

**OUTLINE DIMENSIONS, WIRING DIAGRAM AND LAYOUT**



Layout (Bottom View)

**ENGINEERING DATA**



**FLOURISHING RELAY**

The specifications are for the customer's reference and are subject to change without notice.